

Superior product line

# CombiProtect S Jeweller

Wireless motion and glass break detector.



2  
GRADE  
EN 50131

PD 6662  
2017

SSF

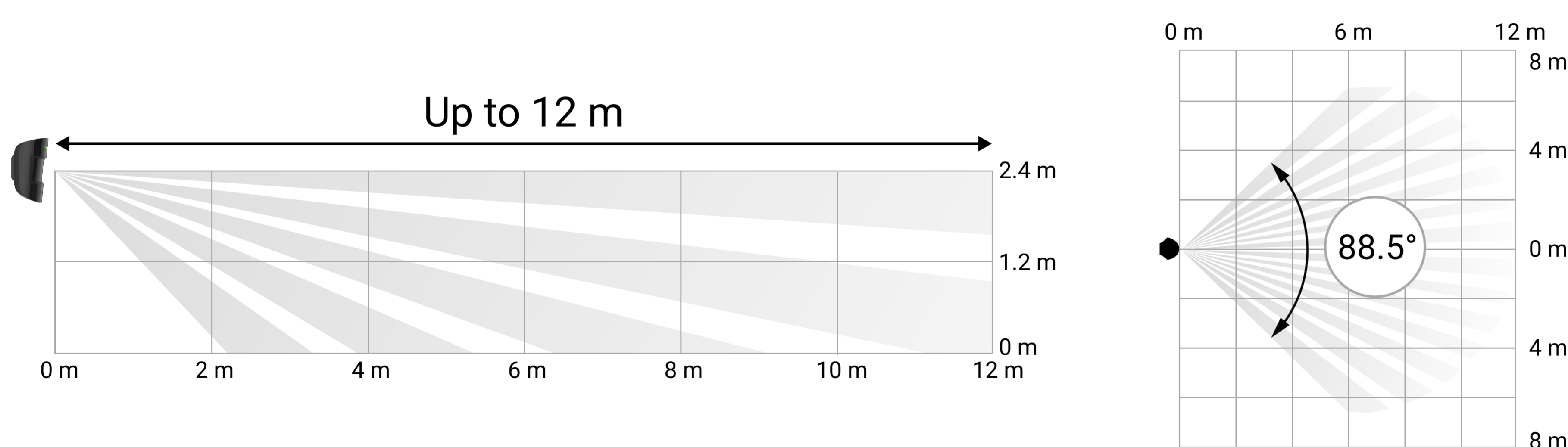
## What's new

Baseline <b>CombiProtect Jeweller</b>	Superior <b>CombiProtect S Jeweller</b>
SmartBracket mounting panel without holding screw	<b>SmartBracket mounting panel with holding screw</b>
Common battery	<b>Enhanced battery</b>
Glossy enclosure	<b>Matte enclosure</b>
Available for all PROs	<b>Available only for accredited partners</b>

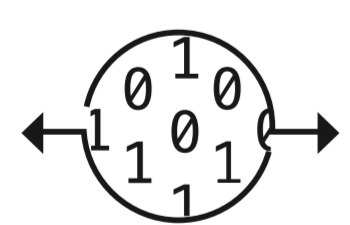
This is the device of the **Superior product line**. Superior products are advanced versions of Jeweller devices. This product line is developed for projects. Only accredited Ajax Systems partners can sell, install, and administer Superior products.



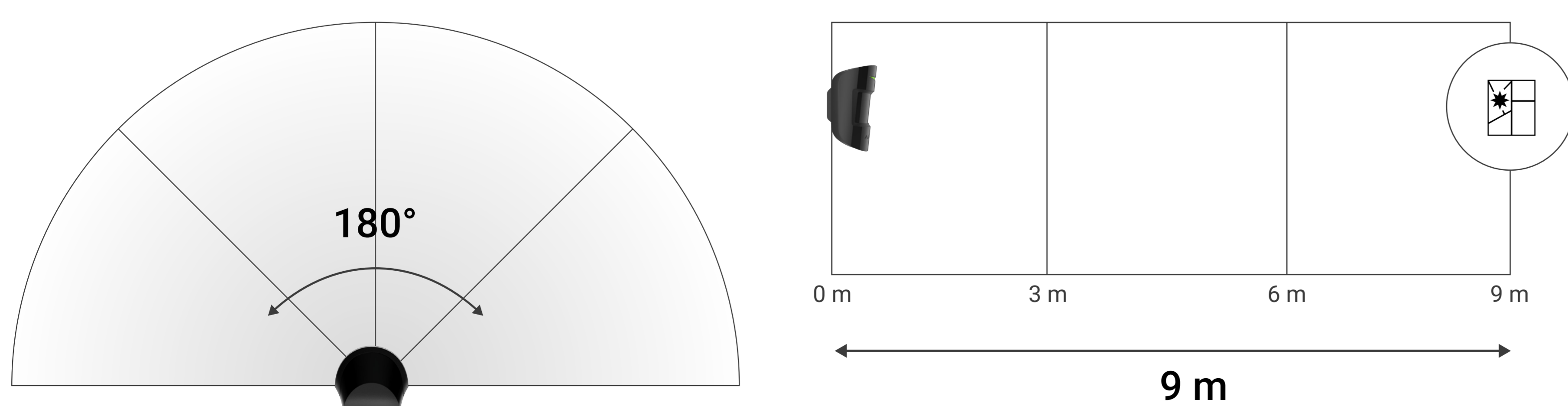
## Motion detection



- SmartDetect algorithm to prevent false alarms
- Temperature compensation
- Pet immunity



## Glass break detection



- DualTone two-factor glass break verification algorithm: by low and high frequencies
- Filter for false alarms caused by dog barking or truck-passing sounds



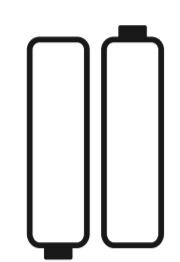
## Jeweller communication technology

- Up to 1,200 m of radio communication in an open space
- Data is encrypted throughout the transmission process
- Regular polling to display current device statuses



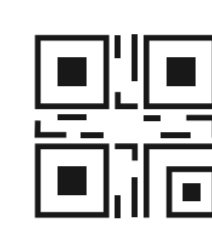
## Sabotage resistance

- Tamper alarm
- Device authentication to prevent spoofing
- Jamming detection
- Holding screw to secure the device on SmartBracket



## Flawless autonomy

- Up to 5 years of battery life
- Low battery notifications
- Panasonic pre-installed battery



## Quick installation and setup

- Pairing with a hub via QR code
- Remote control and configuration in the app
- Effortless installation and replacement

Superior, Fibra, and Baseline product lines are mutually compatible. This opens up numerous possibilities for building systems of any configuration.

<p><b>Compliance with standards</b></p> <p>EN 50131-2-2 (Grade 2) EN 50131-2-7-1 PD 6662:2017 SSF</p> <p><b>Compatibility</b></p> <p><b>Hubs</b> Hub Plus, Hub 2 (2G), Hub 2 (4G), Hub 2 Plus, Hub Hybrid (2G), Hub Hybrid (4G)</p> <p><b>Range extenders</b> ReX, ReX 2</p>	<p><b>Communication with control panel</b></p> <p><b>Jeweller communication technology</b></p> <p><b>Frequency bands</b> 868,0 – 868,6 MHz</p> <p><b>Communication range</b> up to 1,200 m In an open space</p>	<p><b>Motion detection</b></p> <p><b>Sensitive element</b> 1 × PIR sensor</p> <p><b>Detection distance</b> up to 12 m</p> <p><b>Motion detection angle</b> horizontal – 88.5°</p> <p><b>Pet immunity</b> weight: up to 20 kg height: up to 50 cm</p>	<p><b>Glass break detection</b></p> <p><b>Sensitive elements</b> 1 × electret microphone</p> <p><b>Glass break detection distance</b> up to 9 m</p> <p><b>Horizontal glass break detection angle</b> 180°</p>
<p><b>Power supply</b></p> <p><b>Battery</b> 1 × CR123A</p> <p><b>Battery life</b> up to 5 years</p>	<p><b>Installation</b></p> <p><b>Operating temperature range</b> from –10°C to +40°C</p> <p><b>Operating humidity</b> up to 75%</p> <p><b>Protection class</b> IP50</p>	<p><b>Enclosure</b></p> <p><b>Colour</b> white, black</p> <p><b>Dimensions</b> 110 × 65 × 50 mm</p> <p><b>Weight</b> 92 g</p>	<p><b>Complete set</b></p> <p>CombiProtect S Jeweller 1 × CR123A battery (pre-installed) SmartBracket with holding screw Installation kit Quick start guide</p>



For detailed information, scan the QR code or follow the link:  
[ajax.systems/support/devices/combiprotect-s/](https://ajax.systems/support/devices/combiprotect-s/)



support@ajax.systems



@AjaxSystemsSupport\_Bot



ajax.systems